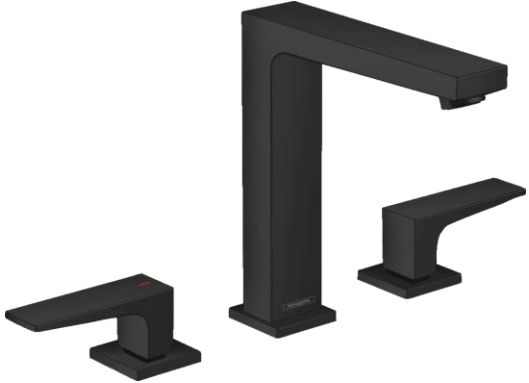
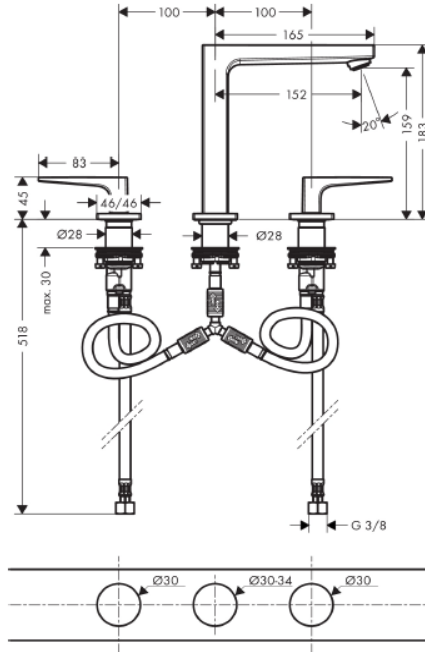


SPECIFICATION SHEET - fittings

BRAND:	hansgrohe	Product Photo: 
ORIGIN:	Germany	
SERIES:	Metropol	
PRODUCT DESCRIPTION:	3-hole basin mixer 160 • with push-open waste set G 1 ¼" • flow rate: 5 l/min	
MODEL No.	32515 670	
FINISH/COLOUR:	Matt Black	
DIMENSIONS:	183mm height 152mm spout projection	
OPTIONAL MATCHING PARTS:	2x angle valve ½"x¾" basin waste trap	

Technical Informations: Suitable for continous flow water heater



REMINDER:	<p style="color: magenta;">Pipe flushing must be done before faucets are installed. Failure to do so voids the warranty.</p> <p>Do not use cleaners containing abrasive cleansers, ammonia, bleach, acids, waxes, alcohol, solvents or other products not recommended for chrome.</p> <p>All information is for reference only, installation shall always be based on the actual product delivered.</p>
------------------	---